



SN-H1302P-AT10

2MP 10x Hybrid IR PTZ Camera



Key Features

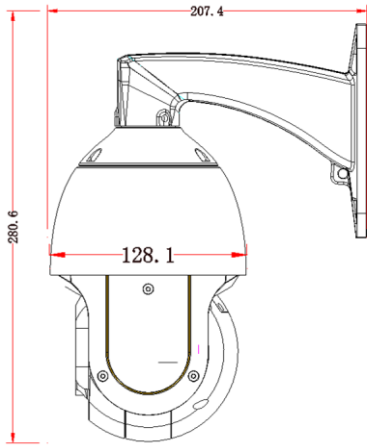
- 1/2.8" progressive scan CMOS
- 10x optical zoom, f=5.1mm~51mm
- 2MP(1920×1080)@25/30fps
- Video Transmission 300m
- IR Range up to 80m
- DNR, DWDR, ICR, BLC, AWB
- Support AHD/TVI/CVI/CVBS Output
- IP66

Specification

Camera	
Image Sensor	1/2.8" Progressive Scan CMOS
Effective Pixels	1920(H)×1080(V)
Electronic Shutter	Auto
Min. illumination	Color: 0.001Lux @(F1.2,AGC ON) B/W: 0Lux @(IR LED ON)
S/N Ratio	More than 52dB
IR Range	Up to 80m
IR On/Off Control	Auto/ Manual
IR LEDs	10pcs
OSD Joystick	N/A
Up the Coax	Support
Lens	
Focal Length	5.1~51mm
Max. Aperture	F2.3~F2.5 (Fixed IRIS)
Angle of View	H: 68°~6.7°
Optical Zoom	10x
Focus Control	Auto/Semi-automatic/Manual
Zoom Speed	Approx.3s (Optical Wide-Tele)
PTZ	
Pan/Tilt Range	Pan: 0° ~ 360° endless, Tilt: 0° ~ +90°
Manual Control Speed	Pan: 0.1° ~200° /s, Tilt: 0.1° ~180° /s
Preset Speed	Pan: 200° /s, Tilt: 180° /s
Presets	128
Speed Proportion	As the length of focus, to auto-adjust the speed
Scan	355°programmable, 4 scan
Pattern	355°programmable, 4 scan
Tour	4 tour, speed & park time of presets can be set.
Idle run	Tour/Preset/Pattern/Scan can be set
Power up run	Tour/Preset/Pattern/Scan can be set

Video	
Resolution	1080P (1920×1080)
Frame Rate	PAL:25fps ,NTSC:30fps
Video Output	Support AHD/TVI/CVI/CVBS Output
Day/Night	Ext / AUTO / Color / MONO
OSD Menu	Support
Wide Dynamic Range	DWDR
Gain Control	Auto
DNR	Auto / Off / Low / Middle / High
White Balance	Auto
HLC	ON/OFF
BLC	ON/OFF
Motion Detection	N/A
Privacy Masking	Yes
Interface	
Video Output	1 BNC
RS485	Yes
Alarm Input	N/A
Alarm Output	N/A
Electrical	
Power Supply	DC24V/1.5A
Power Consumption	9W (IR OFF), 30W (IR ON)
Operating Temperature	-10 °C ~ 55 °C (14°F ~ 131 °F)
Operating Humidity	Less than 90% RH
Ingress Protection	IP66
Certifications	CE/FCC
Casing	Metal
Dimensions	280×128×207mm
Net Weight	2.1Kg

Dimensions(mm)



Accessories

Optional: