



# SN-IPR57/20ACDN/B

2MP Super WDR IR Eyeball Network Camera



## Key Features

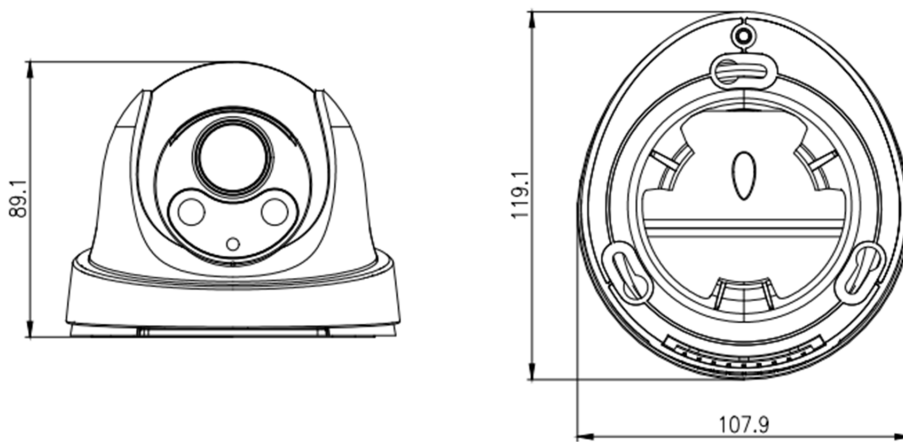
- 1/2.8" progressive scan CMOS
- 2.8mm fixed lens
- 50/60fps@2MP(1920×1080)
- Triple streams
- WDR, 3D DNR, ROI, HLC, BLC, Aisle mode, Defog, EIS
- Smart IR up to 30m
- IP67

# Specification

Camera	
Image Sensor	1/2.8" Progressive Scan CMOS
Effective Pixels	1920(H)×1080(V)
Electronic Shutter	1/5~1/20,000s
Min. illumination	Color: 0.001Lux @(F1.2,AGC ON) B/W: 0Lux @(IR LED ON)
S/N Ratio	55dB
Day/Night	ICR
Wide Dynamic Range	True WDR >120dB
IR Range	Up to 30m
IR On/Off Control	Auto/ Manual
IR LEDs	2pcs
Pan/Tilt/Rotation Range	Pan: 0°~360°, Tilt: 0°~90°, Rotation: 0°~360°
Lens	
Lens Type	Fixed
Iris	Fixed Iris
Focal Length	2.8mm
F Number	F2.0
Angle of View	108°
Focus Control	Fixed
Video	
Max. Resolution	1080P(1920×1080)
Streaming Capability	3 Streams
Stream / Frame Rate	Stream1:1920×1080/1280×720 @50/60fps Stream2: D1/VGA/640×360/CIF/QVGA @25/30fps Stream3: VGA/CIF/QVGA @25/30fps
Bit Rate Control	CBR/VBR
Bit Rate	Stream1: 200kbps~12000kbps Stream2: 100kbps~6000kbps Stream3: 100kbps~3000kbps
Image Enhancement	HLC / BLC / Anti-shake / Defog / WDR (>120dB)
White Balance	Support
Gain Control	Auto/Manual
Noise Reduction	2D/3D DNR
Smart IR	Support
Mirror	Support
Aisle Mode	Support
Region of Interest	Support

Motion Detection	Support
Privacy Masking	Support
Audio	
Compression	G.711, RAW_PCM
Bit Rate	8kbps, 16kps, 64kbps
Network	
Protocols:	IPv4/IPv6, 802.1x, HTTP, HTTPS, TCP/IP, UDP/IP, RTSP, DHCP, NTP, RTCP/RTP, PPPoE, SMTP, DNS, UPnP, FTP, ARP, SNMP
Interoperability	ONVIF, SDK, CGI
Streaming Method	Unicast
Max. User Access	10 Users
Web Viewer	<IE11, Chrome, Firefox
Management Software	SunView
Smart Phone	IOS, Android
Intelligence	
IVS	Perimeter, Single Virtual Fence, Double Virtual Fences, Loiter, Multi Loiter, Object Left, Object Removed, Abnormal Speed, Converse, Illegal Parking, Signal Bad
Interface	
Ethernet	1 Ethernet (10/100 Base-T) RJ-45 Connector
Audio	1ch Input, 1ch Output, 1ch Built-in Mic
Alarm	1ch Input, 1ch Output
CVBS Output	N/A
Reset Button	N/A
Storage	N/A
Electrical	
Power Supply	DC12V/POE (IEEE 802.3af)
Power Consumption	3W(IR LED OFF), 6W (IR LED ON)
Operating Temperature	Starting Temperature: -30°C ~ 60°C (-22°F ~ 140°F) Working Temperature: -40°C ~ 60°C (-40°F ~ 140°F)
Operating Humidity	Less than 90% RH
Ingress Protection	IP67
Certifications	CE / FCC
Casing	Metal
Dimensions	119.1×107.9×89.1mm
Net Weight	500g

## Dimensions(mm)



## Accessories

### Optional:



SN-CBK646A  
Junction Box



SN-CBK627B  
Pole Mount